

25 TON CAP.

HYDRAULIC

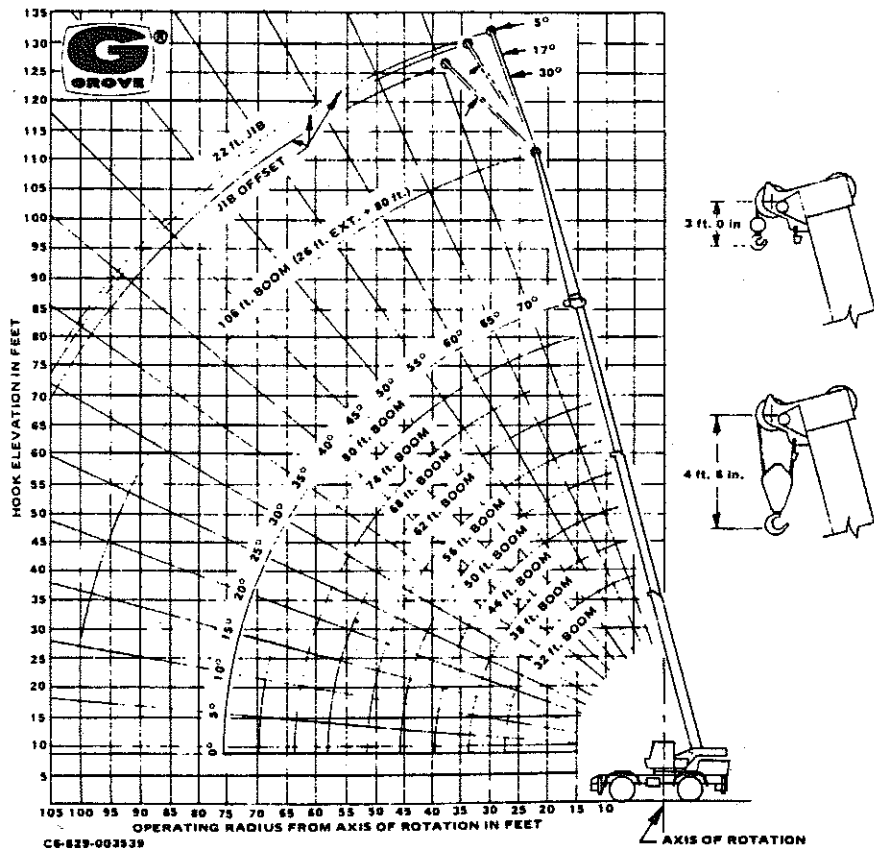
32 ft. - 80 ft. BOOM

ON OUTRIGGERS FULLY EXTENDED - 360°

Radius in Feet	Main Boom Length in Feet										26 ft. Ext. + 80 ft. (**Offset)	
	*32	38	44	50	56	62	68	74	80			
12	50,000 (60.5)	50,000 (65.0)	50,000 (69.0)	44,900 (71.5)	40,500 (74.0)							
15	42,000 (54.0)	42,000 (60.0)	42,000 (64.5)	40,200 (68.0)	36,000 (70.5)	31,000 (73.0)	26,000 (74.5)					
20	30,000 (41.5)	30,000 (50.5)	30,000 (57.0)	30,000 (61.5)	30,000 (65.0)	24,500 (68.0)	23,000 (70.0)	21,500 (72.0)	20,000 (73.5)			
25	22,700 (25.0)	22,700 (39.5)	22,700 (48.5)	22,700 (54.5)	22,700 (59.0)	20,800 (62.5)	19,750 (65.5)	18,200 (68.0)	17,700 (70.0)	11,000 (75.0)		
30		17,000 (25.0)	17,000 (39.0)	17,000 (47.0)	17,000 (53.0)	17,000 (57.5)	16,650 (60.5)	15,800 (63.5)	14,950 (66.0)	9,550 (73.0)		
35			12,540 (26.5)	12,540 (38.5)	12,540 (46.0)	12,540 (51.5)	12,540 (55.5)	12,540 (59.0)	12,540 (62.0)	8,360 (70.0)		
40				9,900 (27.5)	9,900 (38.0)	9,900 (45.0)	9,900 (50.5)	9,900 (54.5)	9,900 (57.5)	7,410 (67.0)		
45					8,100 (28.5)	8,100 (38.0)	8,100 (44.5)	8,100 (49.5)	8,100 (53.0)	6,530 (64.0)		
50						6,700 (13.5)	6,700 (29.5)	6,700 (38.0)	6,700 (44.0)	5,980 (61.0)		
55							5,600 (17.0)	5,600 (30.0)	5,600 (37.5)	5,430 (43.0)		
60								4,700 (19.5)	4,700 (30.5)	4,960 (37.5)		
65									3,950 (21.0)	4,550 (30.5)		
70										4,090 (22.0)		
74											3,500 (11.0)	
75												3,360 (43.0)
80												2,780 (38.5)
85												2,290 (34.0)
90												1,890 (28.5)
95												1,510 (21.5)
100												1,160 (9.5)
Min. Boom Angle (degrees) for Indicated Length (No Load)											0	0
Max. Boom Length (feet) at 0 degree Boom Angle (No Load)											80	106

ON RUBBER CAPACITIES

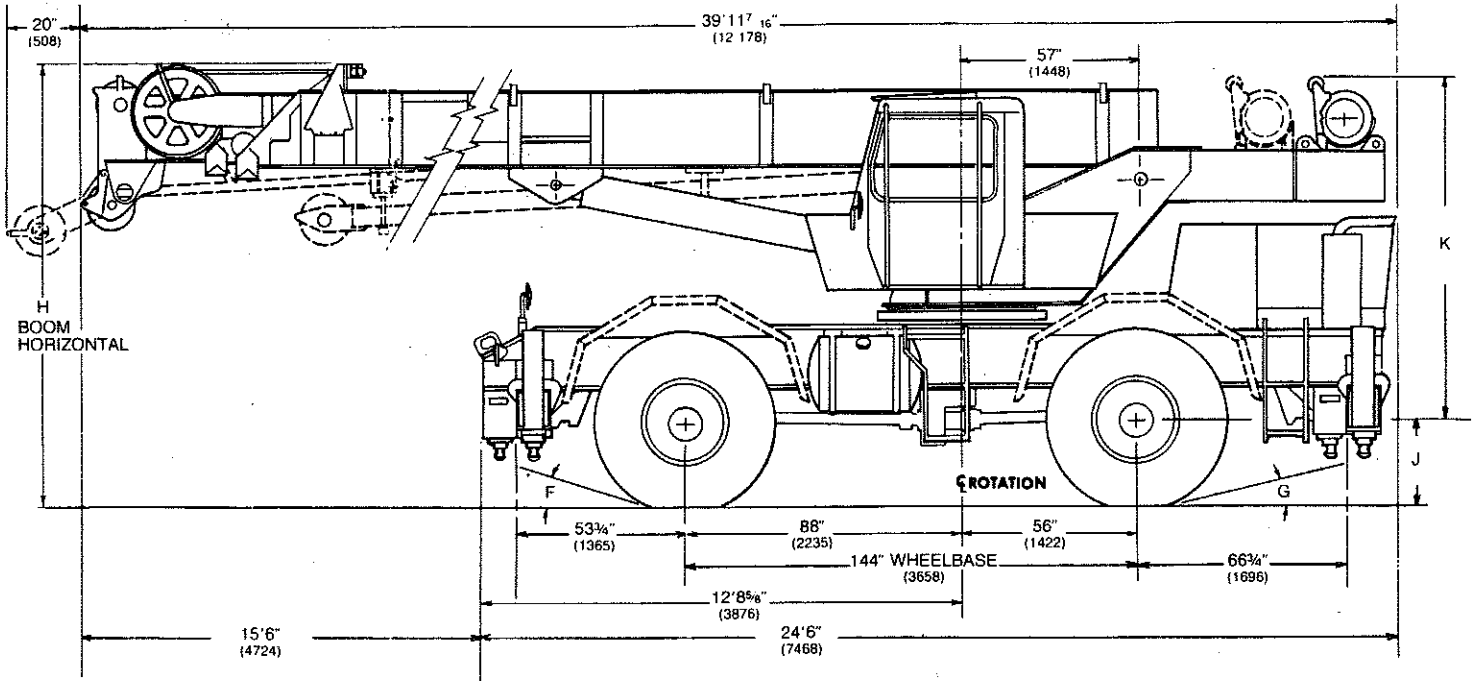
Radius in Feet	Stationary Capacity	Stationary Capacity	2.5 mph Capacity
	Defined Arc (1) ± 6° Over Front	360° Arc	Boom Centered Over Front (2)
10	37,400 (a)	23,000 (b)	31,530 (a)
12	31,300 (a)	18,000 (c)	27,150 (a)
15	25,600 (b)	13,000 (d)	22,980 (a)
20	19,500 (a)	7,980 (e)	18,640 (a)
25	15,300 (e)	4,630 (h)	12,700 (b)
30	11,800 (f)	2,820	10,080 (b)
35	9,400 (f)	1,790	8,420 (c)
40	7,840 (f)	1,150	6,690 (d)
45	6,010		5,230 (f)
50	4,800		4,110 (f)
55	3,970		3,220 (f)
60	3,240		2,500 (g)
65	2,670		1,910 (h)
70	2,300		1,400
74	2,050		



CG-829-003339

DIMENSIONAL DRAWING

Tire Size	A	B	C	D	E	F	G	H	J
23.5x25	57 $\frac{1}{2}$ " (1451)	81 $\frac{1}{2}$ " (2073)	8' 10 $\frac{1}{2}$ " (2696)	17 $\frac{1}{4}$ " (448)	13" (330)	20°	16°	11' 11 $\frac{3}{4}$ " (3651)	29 $\frac{7}{8}$ " (759)



11' High

